



HÄFELE

FINDING BETTER WAYS

Order # _____

Quote Reference # _____

Date: _____

Company Name: _____

Contact: _____

Mobile: _____ Ph: _____

Fax: _____

Email: _____

Tentative Installation Date: _____

Site Address _____

Is a template required? Yes No

Site access Easy Hard Difficult

Bowl type:

Undermounted Top-mounted

Dishwasher position included (see over):

Hob cut-out dimensions:

Width: _____ Depth: _____

Up-stand height: _____

Benchtop overhang: _____ mm

Our aim is to deliver a complete Infinity Work Top Solution to you our client with professional service.

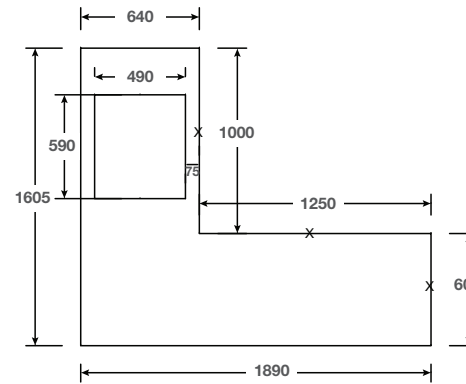
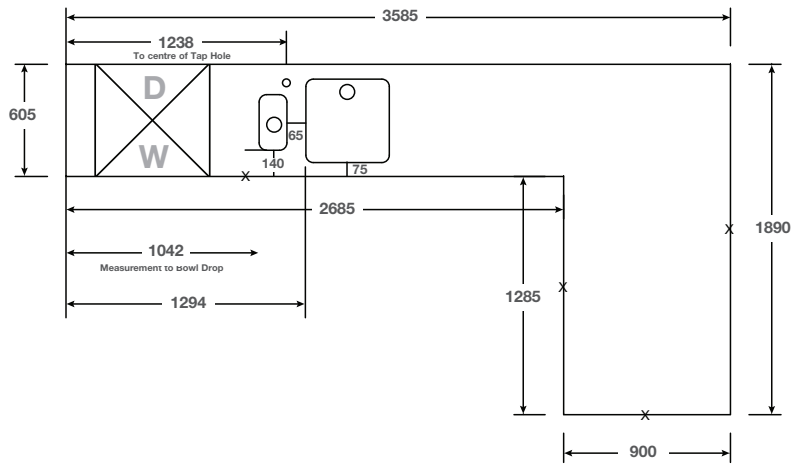
To assist us and to ensure that we get our part correct please take a few minutes to ensure you have specified your work top correctly and that we have all the information required above, to complete the install without complications. Please read the notes overleaf to assist with accurate information required

Unique Comments:

Freephone 0800 4 hafele
Fax 09 274 2041
Email infinity@hafele.co.nz

- Notes:
- Please draw your bench top plans clearly and use the squares to represent as close to scale as practical. Scale 1:20
 - Please dimension all sides and ends of tops including internal dimensions.
 - Please specify type of bowl and mounting option.
 - Please indicate bowl and hob positions clearly.
 - Please indicate all seen edges with an X marked to the edge.
 - Please specify any trimmed or clipped corners.
 - On ordering your top please courier your bowl urgently to the installer.
 - Include dishwasher position.

SAMPLE DRAWINGS



The above quote is subject to Hafele (N.Z.) Limited, Terms & Conditions of Sale. In addition the price is subject to:

- Information provided, any alterations or additions that have not been included will be charged accordingly
- The figure is based on the installation site being as accessible as indicated and OSH compliant. Additional charges will be incurred if unspecified difficulties arise or extraneous variables are encountered.
- All cabinets installed level, securely fitted and have suitable fixings for the tops. In addition all walls the bench tops are to be fitted against, need to comply with the maximum deviation allowances, specified in the N.Z.S 3604:1999
- Additional support may be required where cabinets such as Mondo Units, sit off walls. Please ensure that adequate support is added to walls to pick up support for work tops in these situations prior to the work top being installed.
- Whilst your new infinity top will be sealed to walls, the price of the fitted top does not allow for colour matching of sealant or making good to walls and or decoration after installation.
- It is the customer's responsibility to organize all plumbing & electrical matters
- The maximum unsupported overhang is 300mm
- The maximum unsupported span is 650mm
- The minimum distance between cut-outs is 65 mm
- The illustrated colours are a rendition only. Please see an actual sample before making your final choice.
- Infinity is backed by a 10 year limited warranty which is only valid when carried out by an accredited Infinity Installer
- Quotes valid for 90 days