

HÄFELE AXILO™

PLINTH ADJUSTING FITTING SYSTEM

EASY. CONVENIENT. EFFICIENT.



AXILO™ by Häfele is a new, revolutionary plinth adjusting fitting system. The combination of the adjusting tool and the plinth adjusting foot makes levelling a kitchen or a furniture item a simple, comfortable operation.

THE REASON FOR USING AXILO™



Easy cabinet levelling with just a few manual operations.



Ergonomic and back-friendly installation.



Time saving of up to 50% during kitchen or furniture assembly.



Large area of application for plinth heights from 50 to 220 mm.

ENGINEERED BY HÄFELE

DEVELOPMENT

Innovative system with patented technology.
Ergonomic solution.

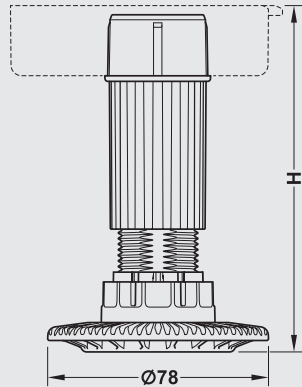
PRODUCTION

High quality products, made in Germany.

LOGISTICS

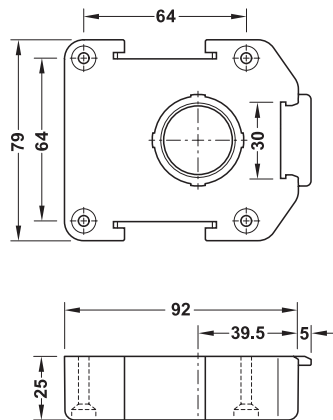
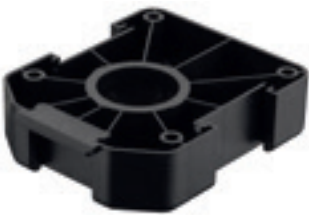
Global availability.

ADJUSTABLE LEG AND GLIDE



- > Material: Plastic
- > Colour: Black
- > Installation: For press fitting into mounting plate.
- > Height Adjustment: -10 to +20 mm. Adjustable at the side and from above via a P23 screw driver through the carcass or using AXILO™ adjusting tool.
- > Load bearing capacity: 150 kg/foot

GLIDE, SCREW FIX SET



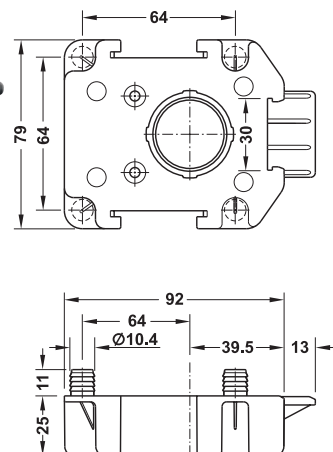
Height (mm)	Adjustment range (mm)	Cat. No.
60	-7 to +20	637.76.400
80	-10 to +20	637.76.402
100	-10 to +20	637.76.404
125	-10 to +20	637.76.406
150	-10 to +20	637.76.408
180	-10 to +20	637.76.410
200	-10 to +20	637.76.412

Packing: 100 pieces

- +** Supplied with:
 - > 100 Adjustable legs
 - > 100 Glides

- !** Note:
 - > Max. cabinet weight for safe use of adjusting tool: 80 kg.

GLIDE, KNOCK-IN SET



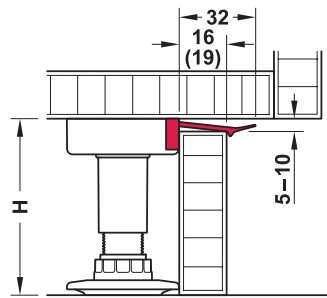
Height (mm)	Adjustment range (mm)	Cat. No.
60	-7 to +20	637.76.401
80	-10 to +20	637.76.403
100	-10 to +20	637.76.405
125	-10 to +20	637.76.407
150	-10 to +20	637.76.409
180	-10 to +20	637.76.411
200	-10 to +20	637.76.413

Packing: 100 pieces

- +** Supplied with:
 - > 100 Adjustable legs
 - > 100 Glides

- !** Note:
 - > Max. cabinet weight for safe use of adjusting tool: 80 kg.

PLINTH HOLDER



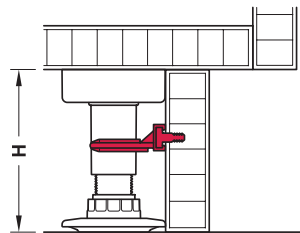
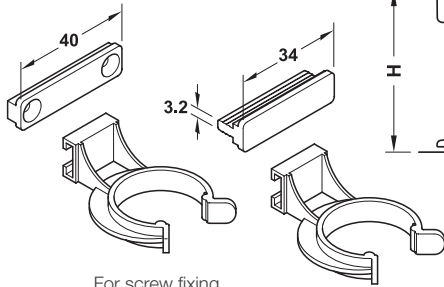
Plinth Height = H: 5 to 10 mm

- > Area of application: For fixing the plinth panel.
- > Material: Plastic
- > Installation: For plug fitting into mounting plates.

Suitable for	Cat. No.
16 mm panel	637.47.491
19 mm panel	637.47.490

Packing: 20 pieces

PLINTH PANEL CLIPS



For press fitting

- > Material: Plastic

Installation	Cat. No.
For screw fixing	637.38.054
For press fitting	637.38.063

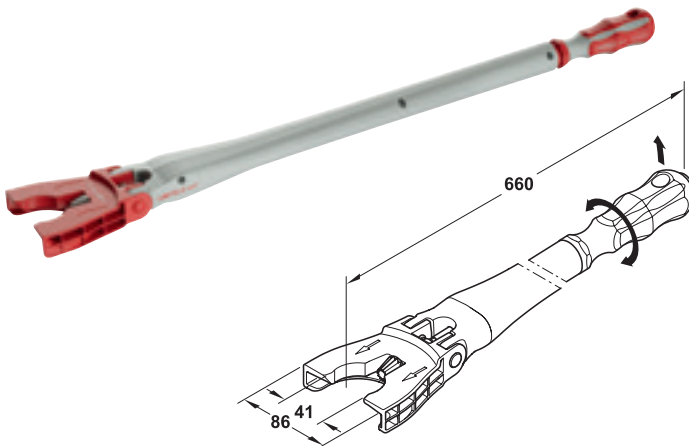
Packing: 25 pieces



Note:

- > For use from installation height H = 80 mm.

ADJUSTING TOOL



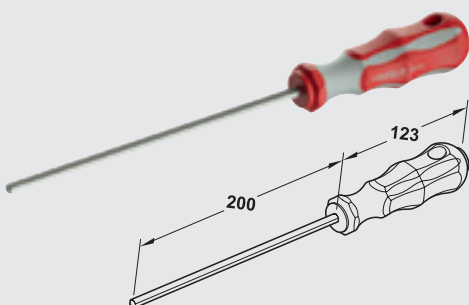
- > Area of application: For ergonomic and time-saving height adjustment of AXILO™ plinth adjusting legs.
- > Material: Plastic, mechanism: Steel
- > Adjustment facility: Adjustment angle height 0-10°
- > Version: Chuck 6.35 mm (bit supplied)

Version	Cat. No.
Adjusting tool	637.76.360
Extension	637.76.361

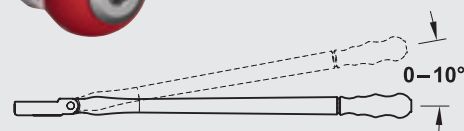
Packing: 1 piece

EXTENSION

Height adjustment by rotating by hand or with electric tool to save time.



Adjusting tool handle end and extension with 6.35 mm chuck.



UNIQUE FEATURES

AXILO™ PLINTH ADJUSTING FITTING SYSTEM



No more bending over, crawling or stretching: with AXILO™ you can also conveniently access the rear plinth feet.



The AXILO™ adjusting tool can be positioned and operated from any angle. Practical, particularly in areas that are difficult to access.



Since you always work in front of the cabinet with AXILO™, you always have the spirit level in view - which saves time and energy.



The unique AXILO™ adjusting tool acts as an extended arm - with the additional extension you can even reach plinth feet of corner base units.



Convenient operations with a power tool is also possible - thanks to a 6.35 mm chuck, both in the AXILO™ adjusting tool and also in the AXILO™ extension.



AXILO™ can be used for all types of cabinets, from the kitchen base unit to the office cabinet, or even wardrobes.

HÄFELE

Häfele New Zealand Ltd. | Auckland Head Office 16 Accent Drive, East Tamaki, Auckland | Wellington Design Centre
The Wool Store Level 1, 262 Thorndon Quay, Wellington | Christchurch Design Centre 5 Wigram Close, Sockburn, Christchurch
Phone: 0800 4 hafele | **Email:** info@hafele.co.nz | **www.hafele.co.nz**