

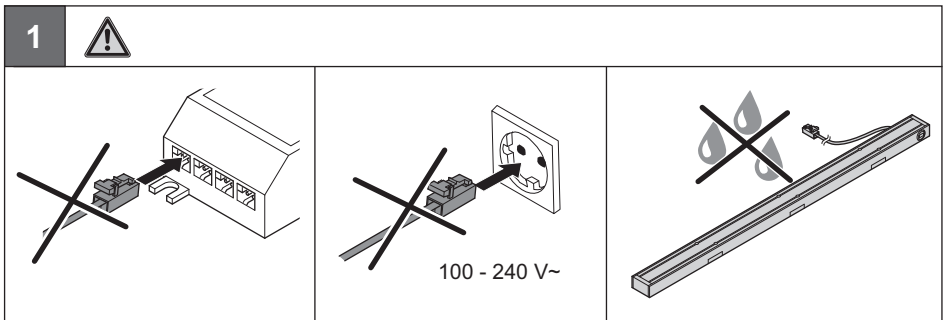
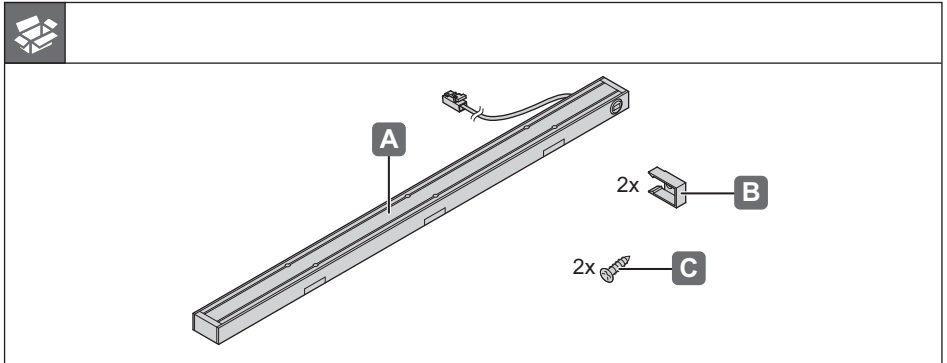


**LED 2008**

833.73.060  
833.73.061  
833.73.062  
833.73.065  
833.73.063  
833.73.064

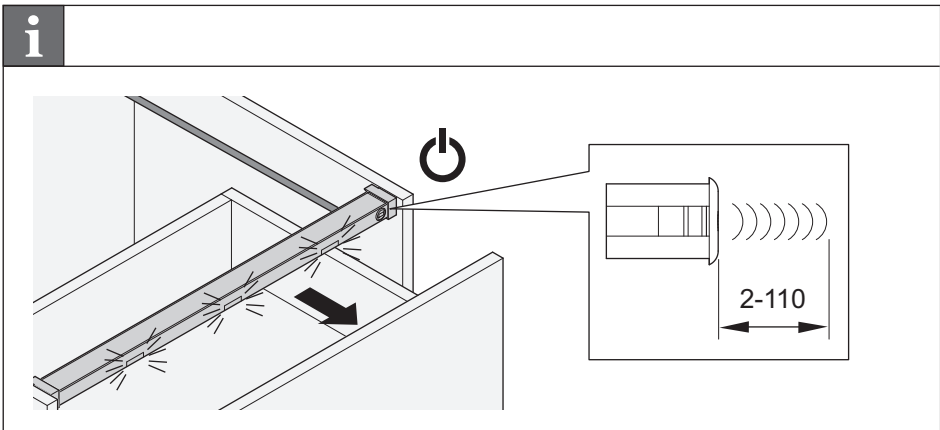
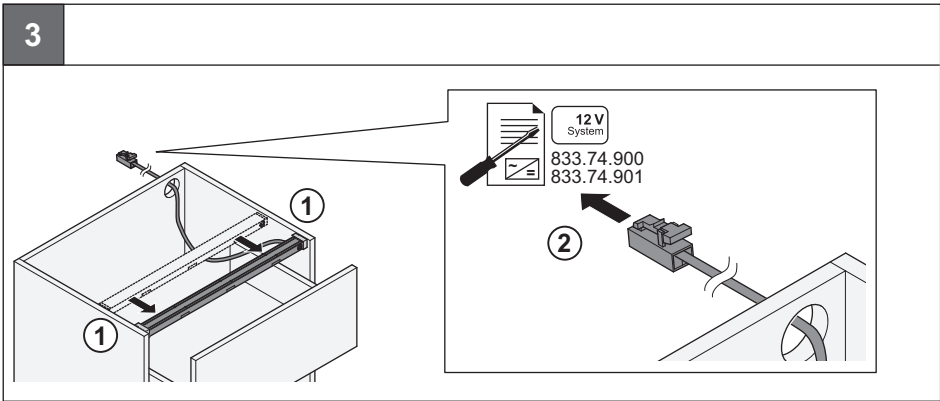
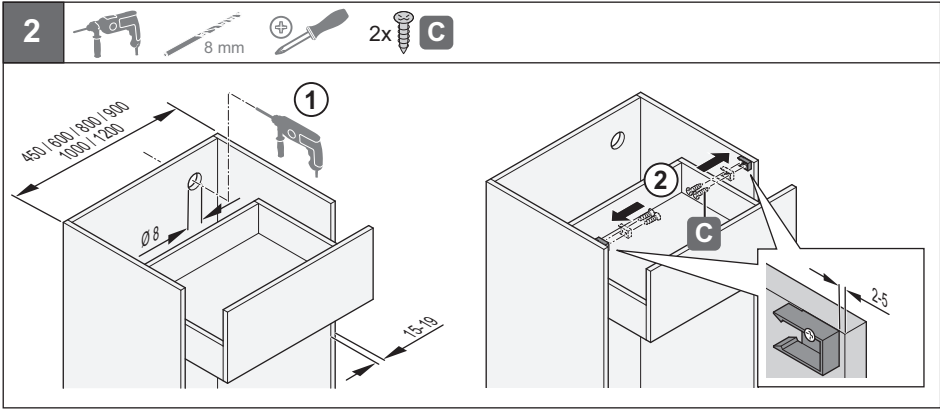
12 V System	K	W	T <sub>A</sub>			
833.73.060	6400 K	1.6 W	-20 °C – +35 °C -4 °F – +95 °F	405 x 30 x 20	≥ 415 x 40 x 30	833.74.900 833.74.901
833.73.061		2.4 W		555 x 30 x 20	≥ 565 x 40 x 30	
833.73.062		3.2 W		755 x 30 x 20	≥ 765 x 40 x 30	
833.73.065		3.2 W		855 x 30 x 20	≥ 865 x 40 x 30	
833.73.063		4.0 W		955 x 30 x 20	≥ 965 x 40 x 30	
833.73.064		4.8 W		1155 x 30 x 20	≥ 1165 x 40 x 30	

Maße in mm – Dimensions in mm – Medidas en mm



HDE 14/12/2010

732.28.201



Maße in mm – Dimensions en mm – Medidas en mm

HDE 14/12/2010

732.28.201