



Concelo.

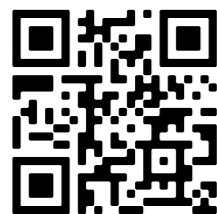
BY HIDEAWAY

Concelo Laundry CRL160D Installation Instructions

Read all instructions before installing this bin unit.
Failure to install the bin correctly may void warranty.

INSTALLATION VIDEO:

NZ: hideawaybins.co.nz/concelo-laundry-installation
AUS: hideawaybins.com.au/concelo-laundry-installation
Or scan the QR code...



New Zealand



Australia

If predrilling using CNC refer to:

NZ: hideawaybins.co.nz/info/downloads
AUS: hideawaybins.com.au/info/downloads
for drilling position CAD files.

HIDEAWAY NEW ZEALAND

09 426 7456 / info@hideawaybins.co.nz / hideawaybins.co.nz

HIDEAWAY AUSTRALIA

1800 042 642 / info@hideawaybins.co.nz / hideawaybins.com.au

MEMBERS AND SUPPORTERS OF



Step 1 – Unpack carton

- The hamper and associated parts should be put to one side.
- Inner carton 1 contains collar components to be attached to the door panel.
- Inner carton 2 contains runners and mounting brackets to be mounted to the cabinet carcass.

Step 2 – Mount collar to door panel

- Open Inner Carton 1 and follow the Concelo CRL160D Laundry Collar Assembly Instructions within.

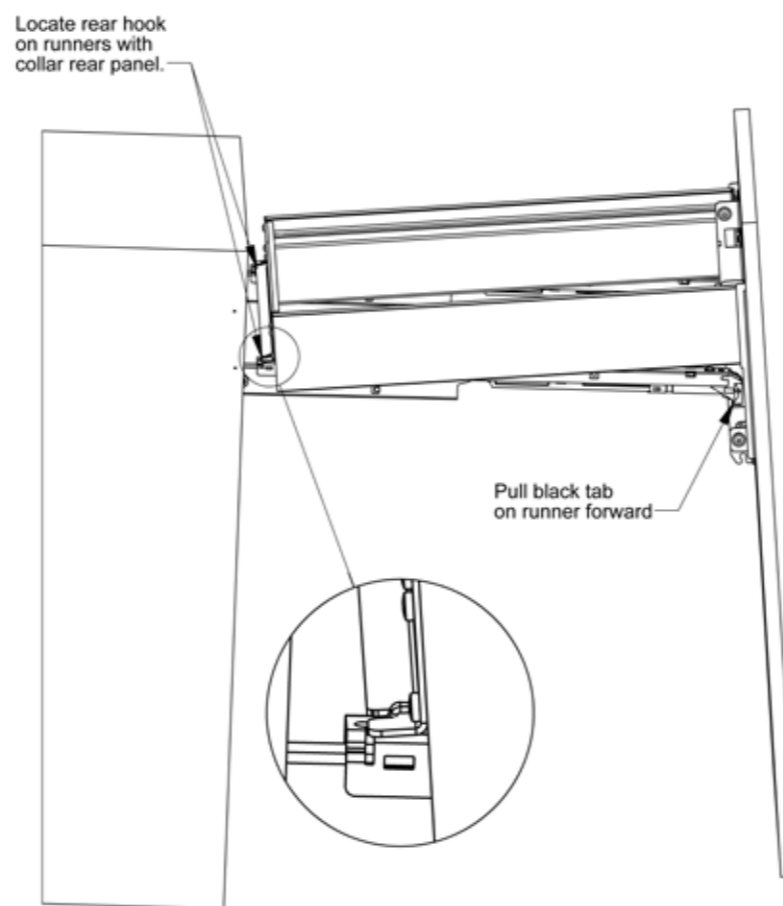
Step 3 – Mount runners inside cabinet carcass

- Open Inner Carton 2 and follow the Concelo CRL160D Laundry Runner Installation Instructions within.

Step 4 – Assemble collar and door panel to runners

- Position collar assembly as shown in Fig 4. **TIP:** Ensure that runners are pulled forward, there is a black tab at the front of the runner that can be pulled while holding the door panel.

FIG.4

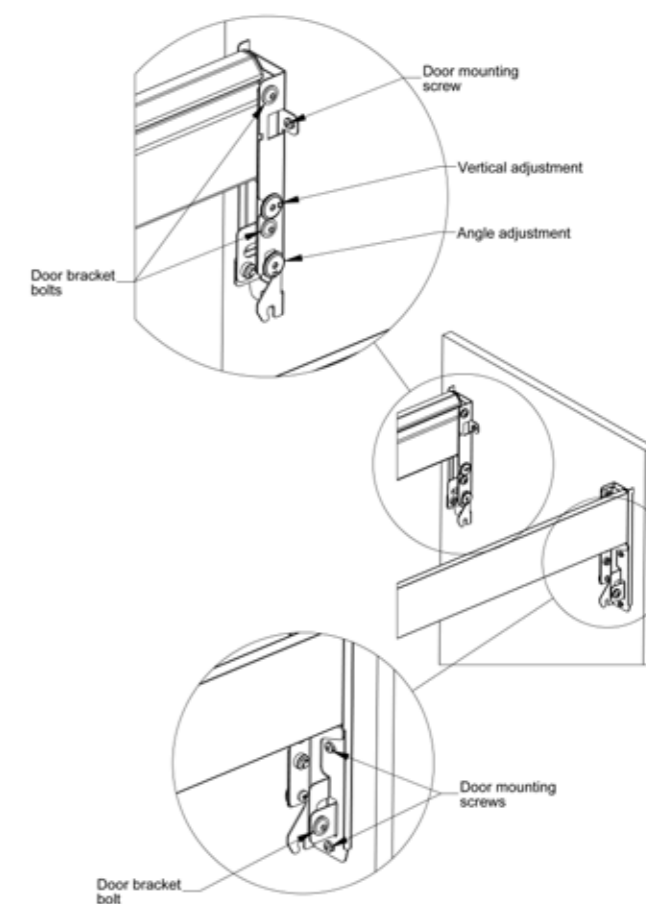


- Lower the door panel until a click is heard. **TIP:** The door panel may need to be pushed down slightly.
- Close the product and check that it is approximately level. **TIP:** If the door panel is significantly out of level it may indicate that it is not clipped down fully on one side.

Step 5 – Adjust the door panel position (Fig 5)

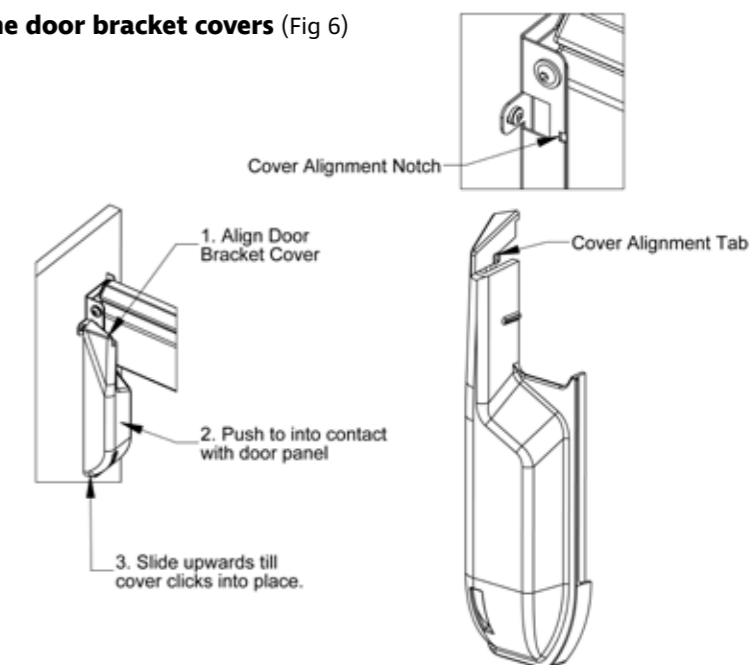
- Loosen the 6 door bracket bolts using the 4mm Hex key provided.
- Adjust the door to be square and parallel to carcass and in the correct vertical position using the adjustment cams.
- Tighten the 6 door bracket bolts.
- Loosen the 6 door mounting screws and adjust the horizontal position of the door panel.
- Tighten the 6 door mounting screws.

FIG.5



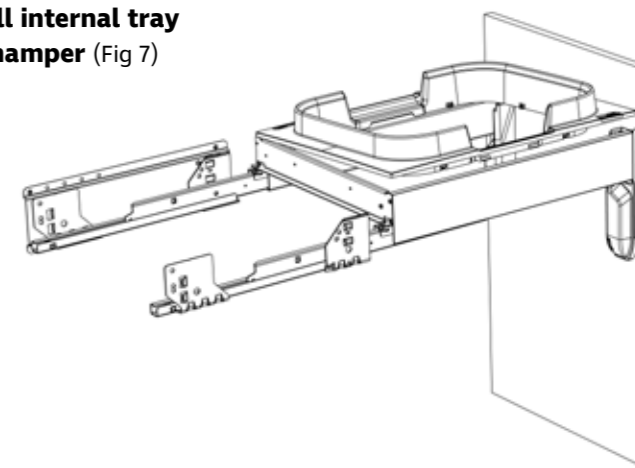
Step 6 – Fit the door bracket covers (Fig 6)

FIG.6



Step 7 – Install internal tray and hamper (Fig 7)

FIG.7



TOP

CARCASE FRONT LEFT



NOTE: If the unit is to be positioned higher in the carcass, trim the required amount off the top of the template.
(Cannot exceed 40mm)

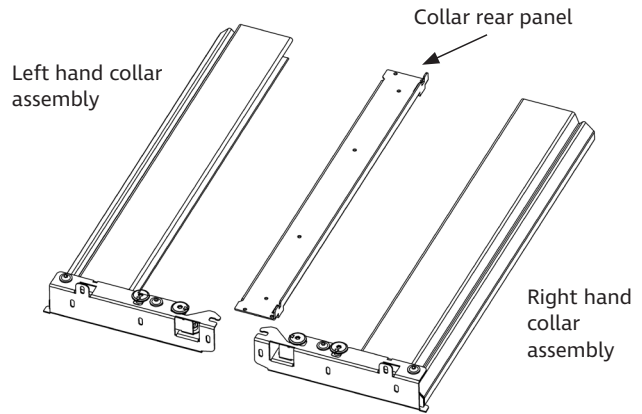
This must be done before proceeding with Step 2 Collar Installation and the change will apply to both Collar and Runner Installation.

DOOR CENTRE

CARCASE FRONT RIGHT



CONTENTS OF CARTON ONE:



Step 1 – Marking door panel for template (Fig 1/2)

- Mark a vertical centre line on the rear of the door panel (a).
- Mark a horizontal line indicating the inside top edge of the carcass for door overlap (b).

TIP: An allowance needs to be made for the door overlap with the top of the carcass e.g. for a 16mm thick carcass material and 3mm gap between the door panel and the bench top the horizontal line should be $(16-3) = 13\text{mm}$ down from the top edge of the door panel (b).

NOTE: If the unit is to be positioned higher in the cabinet trim the required amount off the top of the template. Trimming the template will adjust the mounting hole positions for both the collar and runner installation so they remain correctly aligned.

The maximum amount that can be trimmed off is up to:
CRL160 - 40mm.

Step 2 – Pre-drill door panel (Fig 2)

- Align the door panel template with the lines as indicated and mark the 6 mount holes (RED) through the template.
- Drill a 2mm pilot hole at each of the 6 mounting locations.

TIP FOR FRAMED DOORS: 3 screw locations are required for each door bracket. An alternative location for the top screw is accessible by removing the door bracket from the collar side. This should be used in framed door situations and should be inserted after step 5 of the Installation Instructions. Refer overleaf for instructions.

Step 3 – Install collar side sub-assemblies

Refer to Fig. 3

3.1 - Position collar side assemblies.

3.2 - Secure each using 12mm Surefix screws provided.

Step 4 – Install collar rear panel on to collar sides

Refer to Fig. 3

4.1 - Position collar rear panel as shown.

4.2 - Secure using 6g x 12mm self-tapping screws.

NOTE: do not use impact driver or high torque setting.

FIG.1

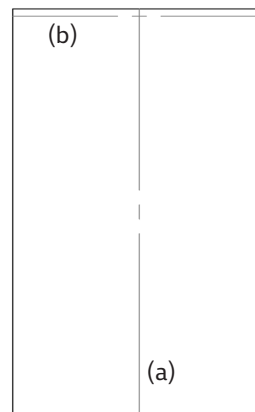


FIG.2

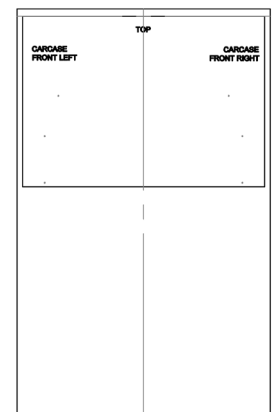
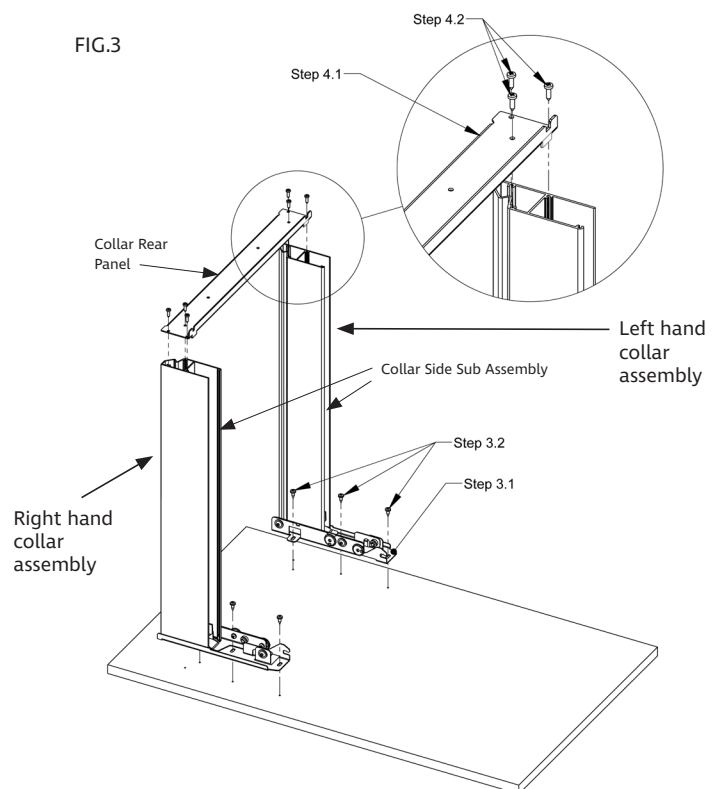


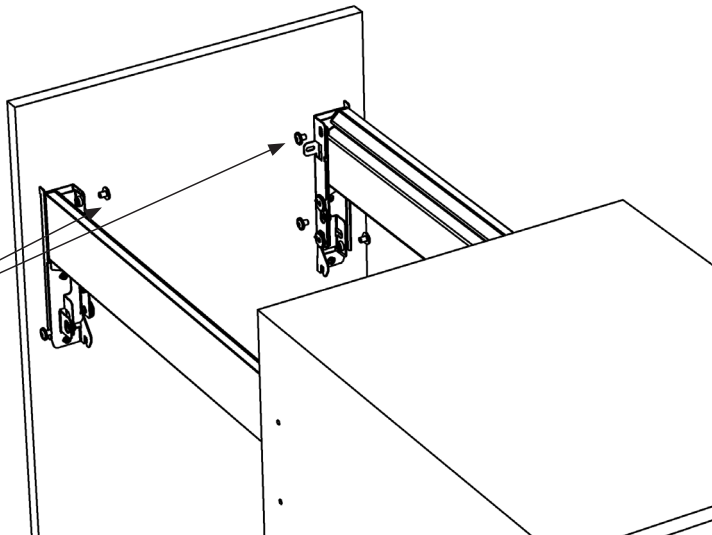
FIG.3



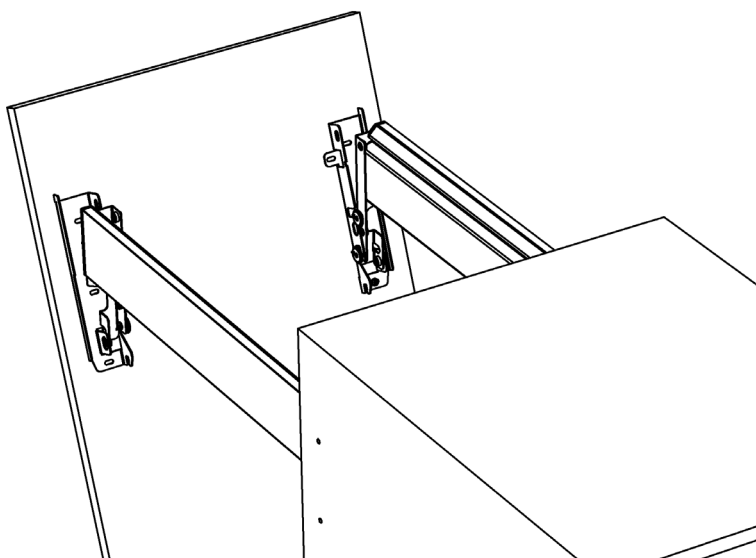
Addendum - Third screw location for framed doors

- Complete Step 5 (Adjust the door panel position) of the Concelo Laundry CRL160D Installation Instructions.
- Follow the steps below to remove the door panel and add the third screw.

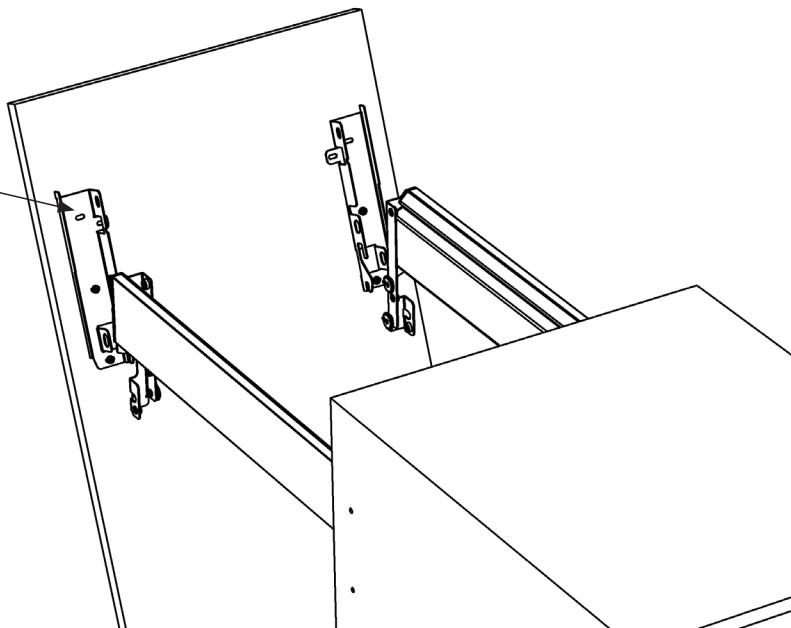
1. Remove the 6 door bracket bolts using the 4mm Allen key provided.



2. Tilt the door panel forward till the door bracket is clear of the top adjustment cam.



3. Lift the door panel clear of the lower adjustment cam.



4. Drill a 2mm pilot hole at the top mounting location of each door bracket. Insert 12mm Surefix screws provided and tighten.

5. Reassemble door bracket to collar and secure in place using 6 door bracket bolts.

- Once complete, refer back to Step 6 and Step 7 of the Concelo Laundry CRL160D Installation Instructions to complete installation.

HIDEAWAY NEW ZEALAND

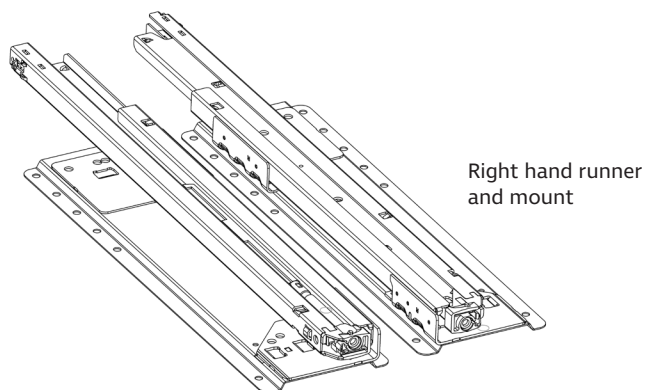
09 426 7456 / info@hideawaybins.co.nz / www.hideawaybins.co.nz

HIDEAWAY AUSTRALIA

1800 042 642 / info@hideawaybins.co.nz / www.hideawaybins.com.au



CONTENTS OF CARTON TWO:



Runner Installation

TIP: For new kitchens, where possible, it is easiest to place the carcass on a bench for installation of the runners.

Step 1 - For each runner align the template with the top and front edge of the carcass.

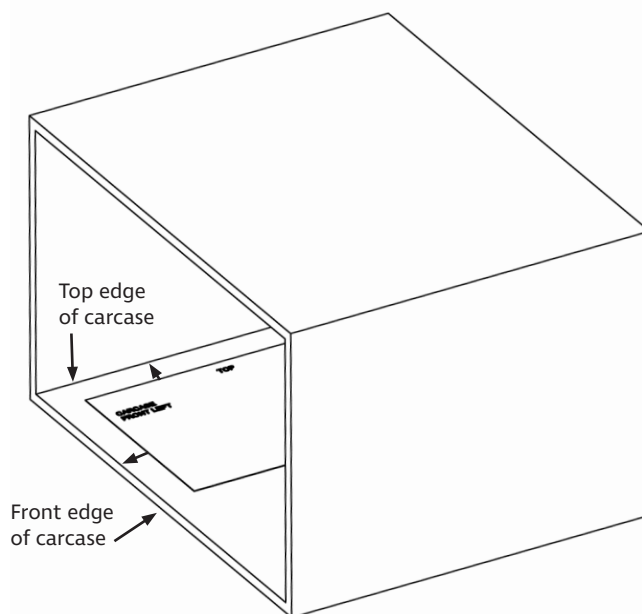
Step 2 - On each side mark the 4 side mount (GREEN) holes through the template.

Step 3 - Remove the template and drill 5mm holes 13mm deep at each location.

Step 4 - Secure runners using the 13mm Euro screws provided.

NOTE: If the unit is to be positioned higher in the cabinet trim the required amount off the top of the template. Trimming the template will adjust the mounting hole positions for both the collar and runner installation so they remain correctly aligned.

The maximum amount that can be trimmed off is up to:
CRL160 - 40mm.



NOTE: Cabinet shown lying on left side.

HIDEAWAY NEW ZEALAND

09 426 7456 / info@hideawaybins.co.nz / www.hideawaybins.co.nz

HIDEAWAY AUSTRALIA

1800 042 642 / info@hideawaybins.co.nz / www.hideawaybins.com.au

